

## SIZES

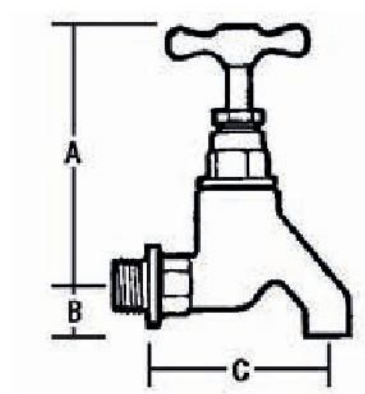
Range	1/2"	3/4"
Code	BR 8017	BR 8018

## DIMENSIONS (mm)

Range		
A	96	101
B	16	22
C	65	88
Weight kg	0.38	0.61

## MATERIAL SPECIFICATION

Component	Material
Body	Forged Brass
Head	Brass bar
Spindle	Brass bar
Handle	Forged brass
Valve	Brass bar
Gland	Brass bar
Packing	EPDM
Seals	Rubber



## MINIMUM OPERATING PRESSURE RATINGS

Size	Minimum Operating Pressure (bar)	Maximum Cold Working Pressure (bar)	Maximum Hot Working Pressure (bar)
1/2 - 3/4"	No minimum operating pressure	Temperatures up to 90°C	Not suitable for Maximum Hot Working pressure
	-	10	-