

Cast iron double regulating valve PN16

With regulating and isolating functions, flanged to EN1092-2, PN16
(includes 2 710 TP Test Points)

SIZES

Flanged to EN 1092-2 PN16

Range	DN50	DN65	DN80	DN100	DN125	DN150	DN200
Code	BR 30	BR 31	BR 32	BR 33	BR 34	BR 35	BR 36

DIMENSIONS (mm)

Range	DN50	DN65	DN80	DN100	DN125	DN150	DN200
A	230	290	310	350	400	480	600
B	260	293	305	323	353	388	453
Weight kg	12.00	18.00	23.00	33.50	49.00	62.00	96.00

FLOW RATES Kv values (m³/h)

Range	DN50	DN65	DN80	DN100	DN125	DN150	DN200
1	7.10	12.10	20.60	25.70	42.80	45.50	64.60
2	16.80	19.70	28.70	55.00	60.00	77.90	134.00
3	24.70	28.00	39.60	78.90	77.60	94.30	171.80
4	30.20	39.40	53.50	112.30	99.80	110.90	219.80
5	34.10	51.70	71.50	145.20	129.50	133.50	286.00
6	37.40	64.70	86.60	170.90	155.50	163.80	329.30
7	40.90	74.00	97.40	192.50	172.00	201.40	389.80
8	42.10	80.90	108.40	210.30	196.20	233.90	441.30
9	-	-	-	-	213.20	261.90	483.90
10	-	-	-	-	233.60	293.00	542.10
11	-	-	-	-	256.20	326.50	595.60
12	-	-	-	-	278.00	361.30	650.60
13	-	-	-	-	298.20	414.30	711.30
14	-	-	-	-	310.40	414.30	753.80

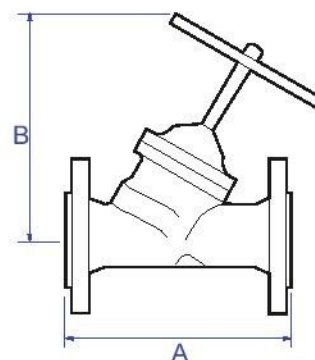
VALVE SUITABILITY

Steam	Water	Oil	Air	Gas Inert	Gas Combustible	Gas Corrosive	Gas Oxygen
✗	✓	✗	✗	✗	✗	✗	✗

MAX. PRESSURE TEMPERATURE RATINGS

Size	Max. Working Pressure (bar)		Test Pressure (bar)	
	Temperature up to 150°C	Temperature up to 105°C	Shell	Seat
DN50 to DN200	16.0	16.0	24	17.6
Size	Max. Working Pressure (psi)		Test Pressure (psi)	
	Temperature up to 212°F	Temperature up to 212°F	Shell	Seat
DN50 to DN200	232.1	232.1	348	255.3

Temperature range -10°C - +120°C (non shock)



MATERIAL SPECIFICATION

Component	
Body	Ductile iron
Bonnet	Ductile iron
Disc	Ductile iron, EPDM Coated
Disc nail	Brass
'O' ring	EPDM
Stem	Stainless steel
Gasket	Graphite
Handwheel	Carbon steel (50-100)
Handwheel	Ductile iron (125-200)
Test point	DZR Brass