

DZR Threaded double regulating valve (DRV)

with regulation and isolation functions, female ends, PN20

SIZES

Parallel Thread

Range	½" standard flow	¾" standard flow	1" standard flow	1¼" standard flow	1½" standard flow	2" standard flow
IS07-1Rp (PT)	126002	126003	126004	126005	126006	126007

DIMENSIONS (mm)

Range	½"	¾"	1"	1¼"	1½"	2"
A	79	86	103	121	127	157
B	106	106	113	120	123	138
Weight kg	0.23	0.55	0.86	1.24	1.62	2.90

FLOW RATES (m³/h)

Range	½"	¾"	1"	1¼"	1½"	2"
Kv	2.30	2.48	7.15	15.08	20.84	28.89

VALVE SUITABILITY

Steam	Water	Oil	Air	Gas Inert	Gas Combustible	Gas Corrosive	Gas Oxygen
X	✓	X	X	X	X	X	X

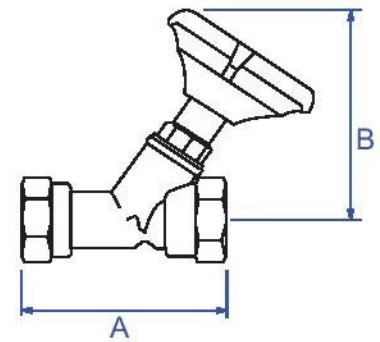
MATERIAL SPECIFICATION

Component	
Body	GDCBr. BS EN 1982, CC 752S
Bonnet	EBB. BS EN 12164, CW 617N
Spindle	EBB. BS EN 12164, CW 617N
Disc	EBB. BS EN 12164, CW 617N
Gland	Packing Piece EBB. BS EN 12164, CW 617Nv
'O' rings	EPTO
Circlip	Carbon spring steel
Adjustment screw	EBB. BS EN 12164, CW 617N
Seals	EPTO
Handle	30% Glass filled nylon 66
Set screw	Brass

MAXIMUM PRESSURE CONDITIONS

Size	Maximum Pressure Conditions (bar)		Test Pressures (bar)	
	Temperature- sup to 100°C	Temperatures up to 120°C	Shell	Seat
½" to 2"	20	16	30	22
Size	Maximum Pressure Conditions (psi)		Test Pressures (psi)	
	Temperatures up to 212°F	Temperatures up to 275°F	Shell	Seat
½" to 2"	290.1	232.1	435.1	319.1

Temperature range -10°C - +120°C (non shock)



PRESSURE EQUIPMENT DIRECTIVE CATEGORY

Sizes					
½"	¾"	1"	1¼"	1½"	2"
SEP	SEP	SEP	SEP	SEP	SEP