

# Threaded fixed orifice commissioning valve (FODRV)

Female ends, PN20, Regulation, isolation & flow measurement functions

## SIZES

### Parallel Thread

Range	1/2" low flow	1/2" standard flow	3/4" standard flow	1" standard flow	1 1/4" standard flow	1 1/2" standard flow	2" standard flow
IS07-1Rp (PT)	126022	126023	126024	126025	126026	126027	126028

## DIMENSIONS (mm)

Range	1/2"	1/2"	3/4"	1"	1 1/4"	1 1/2"	2"
A	79	79	86	103	121	127	157
B	106	106	106	113	120	123	138
Weight kg	0.54	0.53	0.59	0.90	1.29	1.68	2.97

## FLOW RATES (m³/h)

Range	1/2"	1/2"	3/4"	1"	1 1/4"	1 1/2"	2"
Kv	0.40	1.86	2.27	6.11	12.65	19.00	28.42
Kvs	0.41	2.15	4.78	8.11	15.41	22.23	48.21

## VALVE SUITABILITY

Steam	Water	Oil	Air	Gas Inert	Gas Combustible	Gas Corrosive	Gas Oxygen
X	✓	X	X	X	X	X	X

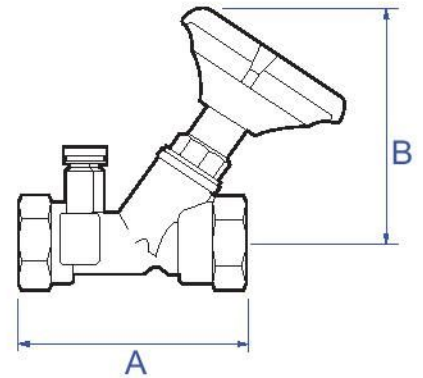
## MATERIAL SPECIFICATION

Component	
Body	GDCBr. BS EN 1982, CC 752S
Bonnet	EBB. BS EN 12164, CW 617N
Spindle	EBB. BS EN 12164, CW 617N
Disc	EBB. BS EN 12164, CW 617N
Gland	Packing Piece EBB. BS EN 12164, CW 617N
'O' rings	EPTO
Orifice plate	EBB. BS EN 12164, CW 617N
Circlip	Carbon spring steel
Adjustment screw	EBB. BS EN 12164, CW 617N
Test points	DZR brass
Seals	EPTO
Handle	30% Glass filled nylon 66
Set screw	Brass

## MAXIMUM PRESSURE CONDITIONS

Size	Maximum Pressure Conditions (bar)		Test Pressures (bar)	
	Temperatures up to 100°C	Temperatures up to 120°C	Shell	Seat
1/2" to 2"	20	16	30	22
Size	Maximum Pressure Conditions (psi)		Test Pressures (psi)	
	Temperatures up to 212°F	Temperatures up to 275°F	Shell	Seat
1/2" to 2"	290.1	232.1	435.1	319.1

Temperature range -10°C - +120°C (non shock)



## PRESSURE EQUIPMENT DIRECTIVE CATEGORY

Sizes					
1/2"	3/4"	1"	1 1/4"	1 1/2"	2"
SEP	SEP	SEP	SEP	SEP	SEP