

# Brass Pressure reducing valve

Maximum inlet pressure 25 bar, adjustable outlet 0.5 bar to 6 bar

## SIZES

### Parallel Thread

| Range         | 1/2"   | 3/4"   | 1"     | 1 1/4" | 1 1/2" | 2"     | 2 1/2" | 3"     | 4"     |
|---------------|--------|--------|--------|--------|--------|--------|--------|--------|--------|
| IS07-1Rp (PT) | 5A2031 | 5A2032 | 5A2033 | 5A2034 | 5A2035 | 5A2036 | 5A2037 | 5A2038 | 5A2039 |

## DIMENSIONS (mm)

| Range     | 1/2" | 3/4" | 1"   | 1 1/4" | 1 1/2" | 2"   | 2 1/2" | 3"   | 4"   |
|-----------|------|------|------|--------|--------|------|--------|------|------|
| A         | 118  | 141  | 152  | 217    | 218    | 244  | 264    | 287  | 325  |
| B         | 77   | 91   | 91   | 116    | 125    | 142  | 147    | 148  | 188  |
| C         | 66   | 73   | 75   | 94     | 95     | 114  | 114    | 114  | 125  |
| Weight kg | 0.71 | 1.12 | 1.33 | 2.29   | 2.42   | 3.62 | 4.00   | 5.53 | 6.80 |

## VALVE SUITABILITY

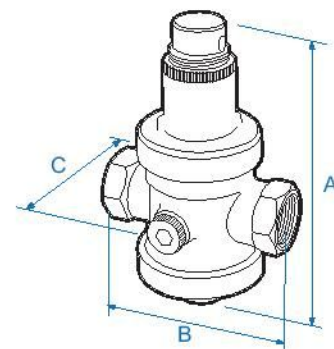
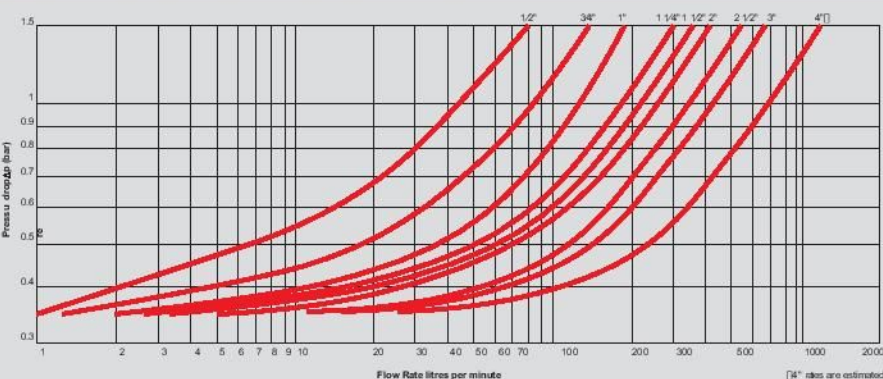
| Steam | Water | Oil | Air | Gas Inert | Gas Combustible | Gas Corrosive | Gas Oxygen |
|-------|-------|-----|-----|-----------|-----------------|---------------|------------|
| ✗     | ✓     | ✗   | ✓   | ✗         | ✗               | ✗             | ✗          |

## MATERIAL SPECIFICATION

| Component      |                         |
|----------------|-------------------------|
| Body           | Brass - CW617N, EN12165 |
| Internal parts | Brass - CW617N, EN12164 |
| Seat           | Stainless steel         |
| Bar            | Brass - CW617N, EN12164 |
| 'O' ring       | NBR 70 SH               |
| Plastic parts  | Ultramid® A3K (BASF)    |
| Flat gaskets   | Fasit                   |

Temperature range - 0 °C - +80°C (non shock)

## PRESSURE & TEMPERATURE RATINGS



Pressure Gauge, 0 - 10bar

## SIZES

|       |        |
|-------|--------|
| Range |        |
| Code  | 5A2003 |

## OPERATING PRESSURE (bar)

|                   |                         |
|-------------------|-------------------------|
| Size              | Working Pressure (bar)  |
| PG Pressure Gauge | Temperature up to 120°C |
|                   | 0 - 10                  |