

Cast iron Y type strainer

Flanged to EN 1092-2, PN16

SIZES

Flanged to EN 1092-2 PN16

Range	DN65	DN80	DN100	DN125	DN150	DN200	DN250	DN300
Code	BR 61	BR 62	BR 63	BR 64	BR 65	BR 66	BR 67	BR 68

DIMENSIONS (mm)

	DN65	DN80	DN100	DN125	DN150	DN200	DN250	DN300
A	273	295	352	416	470	543	665	770
B	174	198	232	285	305	401	473	740
Weight kg	14.50	17.50	31.25	43.00	62.50	107.00	196.67	253.00

FLOW RATES (m³/h)

Range	DN65	DN80	DN100	DN125	DN150	DN200	DN250	DN300
Kv m³/h	93.00	136.00	229.00	363.00	499.00	817.00	1361.00	1928.00

VALVE SUITABILITY

Steam	Water	Oil	Air	Gas Inert	Gas Combustible	Gas Corrosive	Gas Oxygen
✗	✓	✗	✗	✗	✗	✗	✗

PRESSURE EQUIPMENT DIRECTIVE CATEGORY

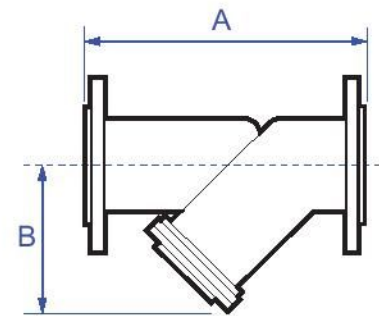
Sizes

DN65	DN80	DN100	DN125	DN150	DN200	DN250	DN300
SEP	SEP	SEP	SEP	SEP	SEP	SEP	SEP

MAXIMUM PRESSURE TEMPERATURE RATINGS

Size	Maximum Working Pressure (bar)		Test Pressure (bar)	
	Temperature up to 120°C	Temperature up to 220°C	Shell	Seat
DN65 to DN300	16	13	24	17.6
Size	Maximum Working Pressure (psi)		Test Pressure (psi)	
	Temperature up to 248°F	Temperature up to 248°F	Shell	Seat
DN65 to DN300	232.1	188.5	348.1	253.8

Temperature range -10°C - +120°C (non shock)



MATERIAL SPECIFICATION

Component	
Body	Cast iron
Cap	Cast iron
Cover	Cast iron
Strainer	Stainless steel
Seal	Fibre TesnitBA-U
Screen	Stainless steel
Gasket	Teflon/graphite
Plug	Brass

PRESSURE & TEMPERATURE RATINGS

