

Bronze threaded strainer, Y pattern.

Female ends, PN16

SIZES

Taper Thread

Range	1/2"	3/4"	1"	1 1/4"	1 1/2"	2"
IS07-Rc (Taper)	15348	15349	15350	15351	15352	15353

DIMENSIONS (mm)

Range

Range	1/2"	3/4"	1"	1 1/4"	1 1/2"	2"
A	63	67	80	114	123	137
B	40	48	60	70	82	73
Weight kg	0.23	0.32	0.45	0.74	0.92	1.06

VALVE SUITABILITY

Steam	Water	Oil	Air	Gas Inert	Gas Combustible	Gas Corrosive	Gas Oxygen
✗	✓	✗	✗	✗	✗	✗	✗

PRESSURE EQUIPMENT DIRECTIVE CATEGORY

Sizes

1/2"	3/4"	1"	1 1/4"	1 1/2"	2"
SEP	SEP	SEP	SEP	SEP	SEP

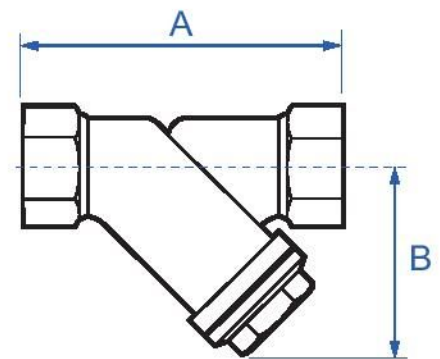
MATERIAL SPECIFICATION

Component	
Body	Gunmetal
Cap	Gunmetal
Screen	Stainless Steel
Gasket	Asbestos free (non stick)

MAXIMUM PRESSURE TEMPERATURE RATINGS

Size	Maximum Working Pressure (bar)	Test Pressure (bar)	
DN15 to DN50	Temperature up to 110°C	Shell	Seat
		24.0	17.6
Size	Maximum Working Pressure (psi)	Test Pressure (psi)	
		Shell	Seat
DN15 to DN50	Temperature up to 230°F	Shell	Seat
		348.0	255.3

Temperature range -10°C - +186°C (non shock)



PRESSURE & TEMPERATURE RATINGS

