

Forged brass spring action check valves

Female ends

SIZES

Parallel thread

Range	1/2"	3/4"	1"	1 1/4"	1 1/2"	2"	2 1/2"	3"	4"
IS07-1Rp (PT)	124121	124122	124123	124124	124125	124126	124127	124128	124129

DIMENSIONS (mm)

Range	1/2"	3/4"	1"	1 1/4"	1 1/2"	2"	2 1/2"	3"	4"
A	49.5	57.5	61.5	66	76	87	100	110	114
B	34	41.5	47	58.5	69	84.5	103	112	145
Weight kg	0.124	0.232	0.251	0.389	0.581	0.852	1.380	1.966	2.830



VALVE SUITABILITY

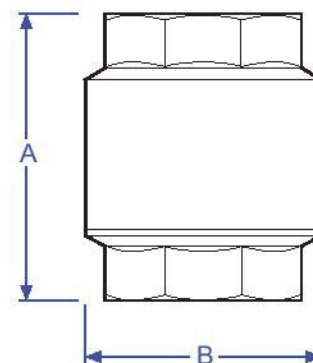
Steam	Water	Oil	Air	Gas Inert	Gas Combustible	Gas Corrosive	Gas Oxygen
✗	✓	✗	✓	✗	✗	✗	✗

Air maximum - 5 bar

PRESSURE EQUIPMENT DIRECTIVE CATEGORY

Sizes

1/2"	3/4"	1"	1 1/4"	1 1/2"	2"	2 1/2"	3"	4"
SEP	SEP	SEP	SEP	SEP	SEP	SEP	SEP	SEP



MAXIMUM PRESSURE CONDITIONS

Size	Maximum Pressure Conditions (bar)	
	bar	psi
1/2" to 3/4"	12	174
1" to 2"	10	145
2 1/2" to 4"	8	116

These are maximum permissible working pressures

Size	Maximum Pressure Conditions (psi)	
	Temperature °C	Temperature °F
1/2" to 4"	90	194

MATERIAL SPECIFICATION

Component	Material
Pin	ABS
Pin Washer	ABS
Body	Brass
Sealing Washer	EPDM Rubber
Spring	Stainless Steel 18/8
Filter	Stainless Steel 18/8
Filter/Body Connection	ABS

PRESSURE & TEMPERATURE RATINGS

