

Brass full bore quarter ball valve

Red "T" handle, compression ends PN16

SIZES

Compression connections EN 1254-2

Range	15	22	28
Code	BR 5001	BR 5002	BR 5003

DIMENSIONS (mm)

Range	15	22	28
A Face to Face	77	85	100
B Centre Line to Lever	42	54	57
C Tee Length	50	60	60
Weight kg	0.22	0.39	0.56

FLOW RATES (m³/h)

Range	15	22	28
Kv	17.0	41.0	70.0

*Kv - flow rate in m3 per hour at a pressure drop of 1 bar.

VALVE SUITABILITY

Steam	Water	Oil	Air	Gas Inert †	Gas Combustible ††	Gas Corrosive	Gas Oxygen
✓	✓	✓	✓	✗	✗	✗	✗

† The valves are suitable for British Gas Applications Family Gases 1, 2 and 3 †† Suitable in applications where moisture is completely absent.
Gas Application Conditions: -20°C to +60°C maximum 5 bar. BritishGas (MOP 5). LPG: maximum 10 bar. Air: maximum 10 bar.

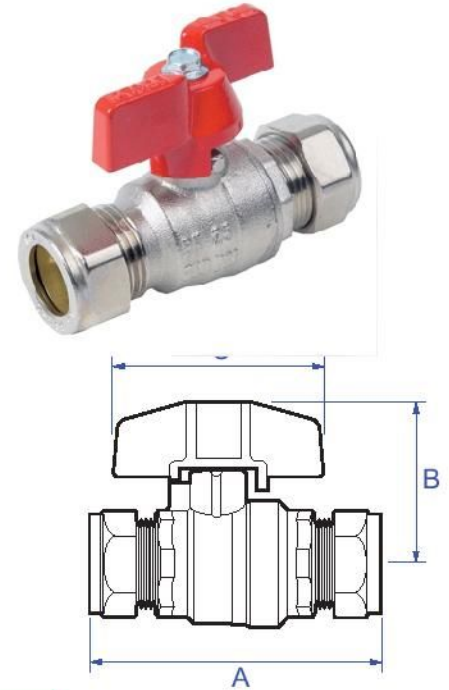
MATERIAL SPECIFICATION

Component	Material
Body	Forged brass, Chrome plated
End piece	Forged brass, Chrome plated
Ball	Brass Bar, Chrome plated (15mm) Forged Brass, Chrome Plated (22 to 28mm)
Stem	Brass Bar
Seats	PTFE (Teflon)
Thrust Washer	PTFE (Teflon)
Stem 'O' Ring	Viton
Compression Nut	Forged brass, Chrome plated
Compression Cone	Brass
Tee Handle (Red, Blue or Yellow)	Aluminium, Painted
Security Screw	Nickel Plated Brass

MAXIMUM PRESSURE CONDITIONS

Size	Maximum Pressure Conditions (bar)		Test Pressures (bar)	
	(Cold working) Temperatures up to 30°C	(Hot working) Temperatures up to 120°C	Shell	Seat
15 to 54mm	16.0	5.0	24.0	17.6
Size	Maximum Pressure Conditions (psi)		Test Pressures (psi)	
	Temperatures up to 86°F	Temperatures up to 248°F	Shell	Seat
15 to 54mm	232.1	72.5	348.1	253.8

Temperature range - 10°C + 120°C (non shock)



PRESSURE EQUIPMENT DIRECTIVE CATEGOR

Sizes

15	22	28
SEP	SEP	SEP

PRESSURE & TEMPERATURE RATINGS

