

Full bore quarter turn ball valve

Red lever handle, female ends, PN25

SIZES

Taper						
Range	1/2"	3/4"	1"	1 1/4"	1 1/2"	2"
IS07-1Rc (Taper)	245201	245202	245203	245204	245205	245206
Lockshield	245260	245261	245262	245263	245264	265265

DIMENSIONS (mm)

Range	1/2"	3/4"	1"	1 1/4"	1 1/2"	2"
A	59	68	80	95	100	124
B	39	51	56	63	78	88
Weight kg	0.23	0.41	0.61	0.94	1.33	2.21
B Lockshild	45	53	58	65	81	88
Weight kg Lockshield	0.21	0.37	0.57	1.15	1.21	2.79

FLOW RATES (m³/h)

Range	1/2"	3/4"	1"	1 1/4"	1 1/2"	2"
Kv	17.0	41.0	70.0	121.0	200.0	292.0

VALVE SUITABILITY

Steam	Water	Oil	Air	Gas Inert	Gas Combustible	Gas Corrosive	Gas Oxygen
✓	✓	✓	✓	✗	✗	✗	✗

Air maximum - 10 bar

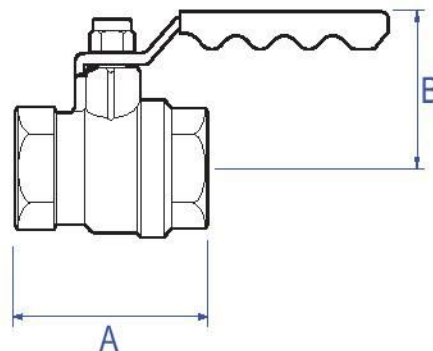
MATERIAL SPECIFICATION

Component	Material
Body	DZR Brass
Ball	Brass, Chrome plated
Stem	DZR Brass
Stem 'O' Ring	Viton
Seat rings	PTFE (Teflon)
Lever handle	Steel
Lever nut self locking	Zinc plated steel
Tee handle security screw	Nickel plated brass
Locksheild dust cap	Plastic
Locksheild	Brass
Locksheild security screw	Brass
Sleeve	Brass (EL)
Ext Stem	Brass (EL)
Fixing screw	Steel (EL)
Washer	Brass (EL)

MAXIMUM PRESSURE CONDITIONS

Size	Maximum Pressure Conditions (bar)		Test Pressures (bar)	
	Tem peratures up to 100°C	Temperatures up to 150°C	Shell	Seat
1/2" to 2"	25.0	16.5	37.5	27.5
Size	Maximum Pressure Conditions (psi)		Test Pressures (psi)	
	Temperatures up to 362.6°F	Temperatures up to 302°F	Shell	Seat
1/2" to 2"	293.3	293.3	543.9	398.9

Temperature range -10°C - +150°C (non shock)



PRESSURE EQUIPMENT DIRECTIVE CATEGORY

Sizes					
1/2"	3/4"	1"	1 1/4"	1 1/2"	2"
SEP	SEP	SEP	SEP	SEP	SEP

PRESSURE & TEMPERATURE RATINGS

