

Brass full bore ball valve

with drain cock and Red handle, female ends, PN25

SIZES

Parallel Thread

Range	1/2"	3/4"	1"
IS07- 1 Rp (PT)	242166	242167	242168

DIMENSIONS (mm)

228			
Range	1/2"	3/4"	1"
A	68	76	88
B	40	50	55
C	51	51	60
Weight kg	0.319	0.504	0.707

VALVE SUITABILITY

Steam	Water	Oil	Air	Gas Inert	Gas Combustible	Gas Corrosive	Gas Oxygen
X	✓	X	X	X	X	X	X

FLOW RATES (m³/h)

Range	1/4"	3/4"	1"
Kv	17.0	41.0	70.0

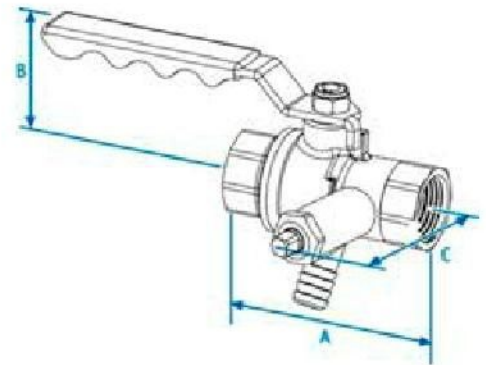
MATERIAL SPECIFICATION

Component	Material
Body	Brass, Chrome plated
End Piece	Brass, Chrome plated
Ball	Brass, Chrome plated
Stem	Brass, Chrome plated
Seats	PTFE
Lever Handle	Steel
Handle Nut	Steel
Friction Washer	PTFE
'O' Ring seals	Viton

MAXIMUM PRESSURE CONDITIONS

Size	Maximum Pressure Conditions (bar)		Test Pressures (bar)	
	Temperatures up to 100°C	Temperatures up to 150°C	Shell	Seat
1/2" to 1"	25	16.5	37.5	27.5
Size	Maximum Pressure Conditions (psi)		Test Pressures (psi)	
	Temperatures up to 212°F	Temperatures up to 302°F	Shell	Seat
1/2" to 1"	362.6	293.3	543.9	398.9

Temperature range - 10°C + 150°C (non shock)



PRESSURE EQUIPMENT DIRECTIVE CATEGORY

Sizes		
1/2"	3/4"	1"
SEP	SEP	SEP

PRESSURE & TEMPERATURE RATINGS

